

Kinematics

15-494 Cognitive Robotics
David S. Touretzky &
Ethan Tira-Thompson

Carnegie Mellon
Spring 2009

Outline

Kinematics is the study of how things move.

- Homogeneous coordinates
- Kinematic chains
 - Robots are described as collections of kinematic chains
- Reference frames
- Kinematics and PostureEngine classes
- Forward kinematics: calculating limb positions from joint angles. (Straightforward matrix multiply.)
- Inverse kinematics: calculating joint angles to achieve desired limb positions. (Hard.)

Homogeneous Coordinates

- Represent a point in N-space by an (N+1)-dimensional vector. Extra component is an inverse scale factor.
 - In “normal” form, last component is 1.

$$\vec{v} = \begin{bmatrix} x \\ y \\ z \\ 1 \end{bmatrix}$$

- Points at infinite distance: last component is 0.
- Allows us to perform a variety of transformations using matrix multiplication:

Rotation, Translation, Scaling
- Tekkotsu uses 3D coordinates (so 4-dimensional vectors) for everything.

Transformation Matrices

- Let θ be rotation angle in the x-y plane.
Let dx , dy , dz be translation amounts.
Let $1/s$ be a scale factor.

$$T = \begin{bmatrix} \cos \theta & \sin \theta & 0 & dx \\ -\sin \theta & \cos \theta & 0 & dy \\ 0 & 0 & 1 & dz \\ 0 & 0 & 0 & s \end{bmatrix}$$

$$T \vec{v} = \begin{bmatrix} x \cos \theta + y \sin \theta + dx \\ -x \sin \theta + y \cos \theta + dy \\ z + dz \\ s \end{bmatrix} = \begin{bmatrix} (x \cos \theta + y \sin \theta + dx) / s \\ (-x \sin \theta + y \cos \theta + dy) / s \\ (z + dz) / s \\ 1 \end{bmatrix}$$

Transformations Are Composable

- To rotate about point p , translate p to the origin, rotate, then translate back.

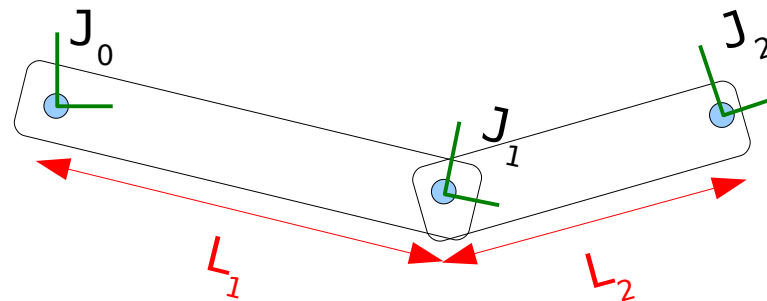
$$\textit{Translate}(p) = \begin{bmatrix} 1 & 0 & 0 & p.x \\ 0 & 1 & 0 & p.y \\ 0 & 0 & 1 & p.z \\ 0 & 0 & 0 & 1 \end{bmatrix}$$

$$\textit{Rotate}(\theta) = \begin{bmatrix} \cos \theta & \sin \theta & 0 & 0 \\ -\sin \theta & \cos \theta & 0 & 0 \\ 0 & 0 & 1 & 0 \\ 0 & 0 & 0 & 1 \end{bmatrix}$$

$$\textit{RotateAbout}(p, \theta) = \textit{Translate}(p) \cdot \textit{Rotate}(\theta) \cdot \textit{Translate}(-p)$$

Kinematic Chains

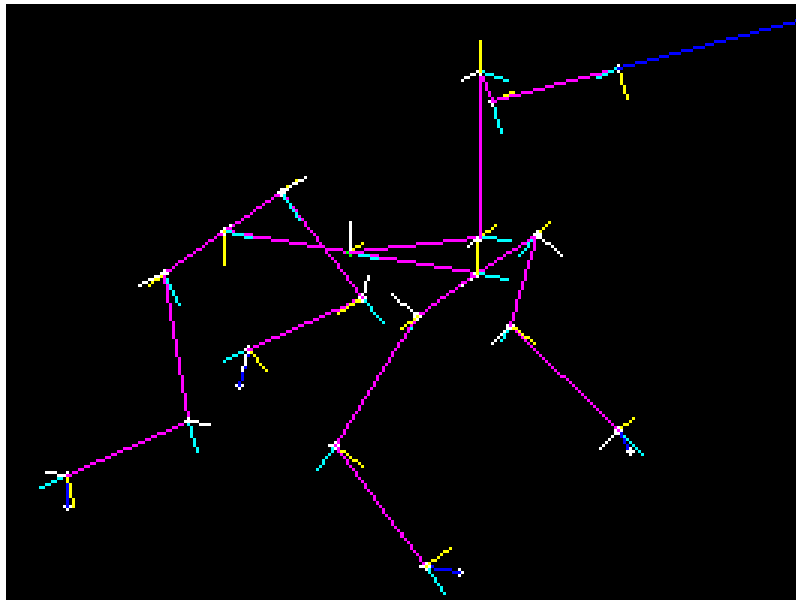
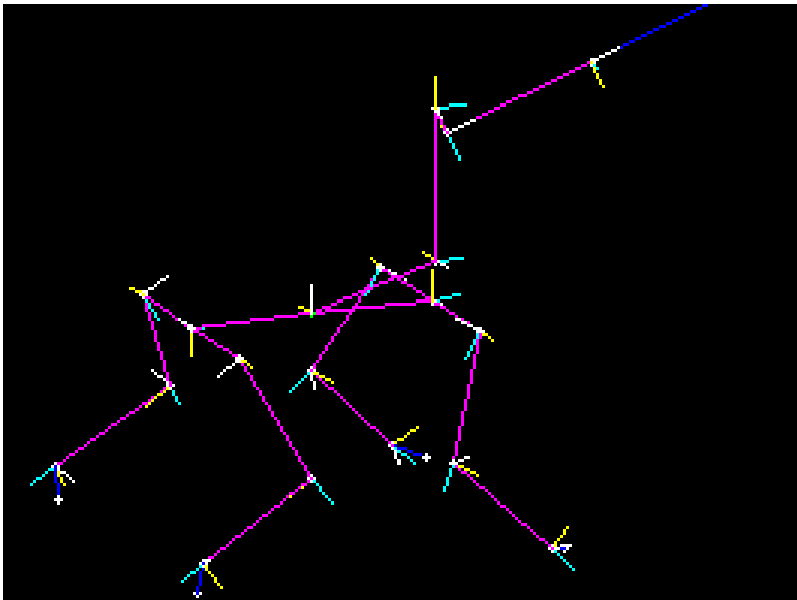
- Sequence of joints separated by links.



- We can use transformation matrices to calculate the position of the tip of the chain (joint J_2) from the joint angles θ_0 , θ_1 and the link lengths L_1 , L_2 .
- Each joint has a rotation transform; each link has a translation transform.

AIBO Kinematic Chains

- The AIBO has 9 kinematic chains instead of 6 because branched chains were formerly not supported:
 - 4 for the legs
 - 1 for the head (ending in the camera), 1 for the mouth
 - 3 for the IR range sensors
- All chains begin at the center of the body (base frame).



Chiara Kinematic Chains

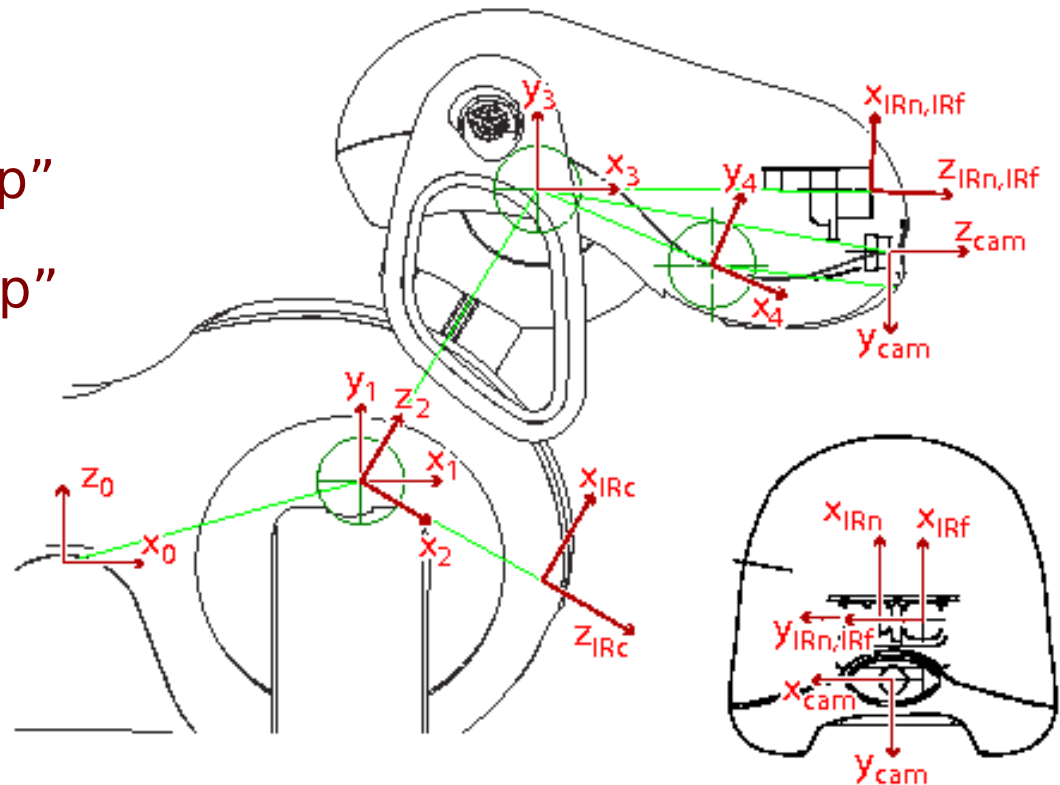
- The Chiara has 8 kinematic chains:
 - Head / camera / IR
 - Arm
 - Left front leg
 - Right front leg (4-dof)
 - Left middle leg
 - Right middle leg
 - Left back leg
 - Right back leg

Reference Frames

- Every joint and every link has an associated reference frame.
- Denavit-Hartenberg conventions: all joints move about their reference frame's z-axis.

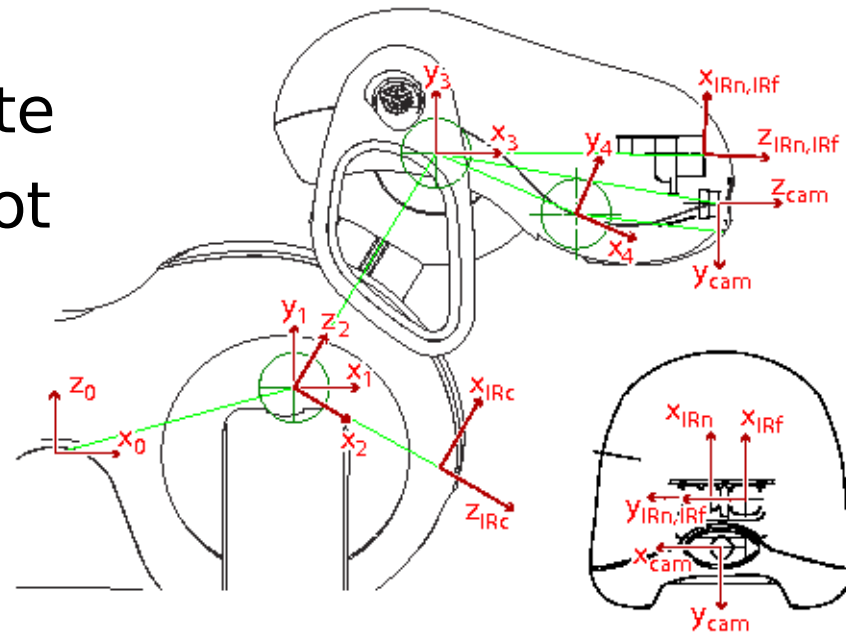
- The head chain:

- Base frame 0 $z_0 = \text{"up"}$
- Tilt joint 1 $y_1 = \text{"up"}$
- Pan joint 2
- Nod joint 3
- Camera 4

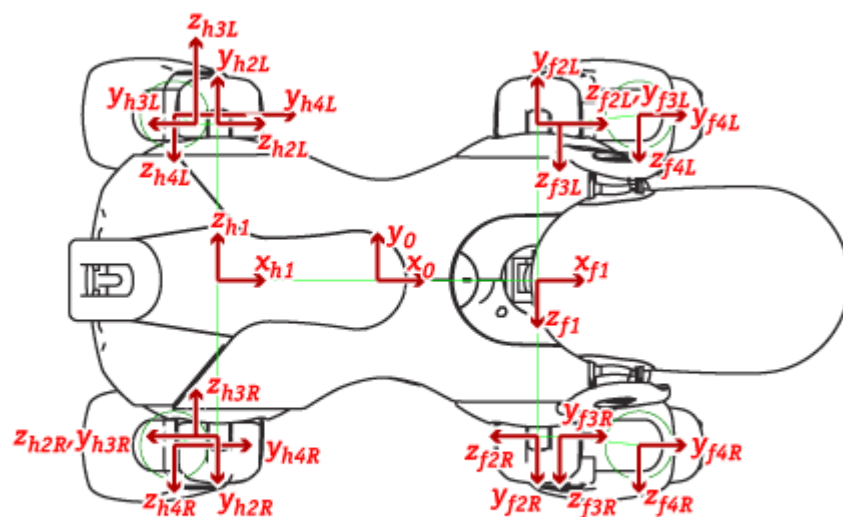


Joint vs. Link Reference Frames

- The joint reference frame does not rotate with the joint. The link reference frame does.
- The x_1, y_1, z_1 joint axes remain fixed with respect to the base frame when the head tilts up or down.
- The x_2, z_2 joint axes rotate with the tilt angle (but not the pan angle.)



Leg Reference Frames

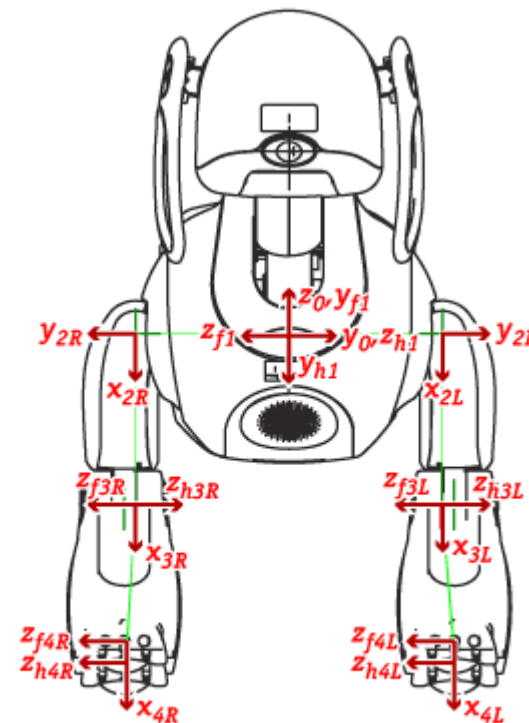
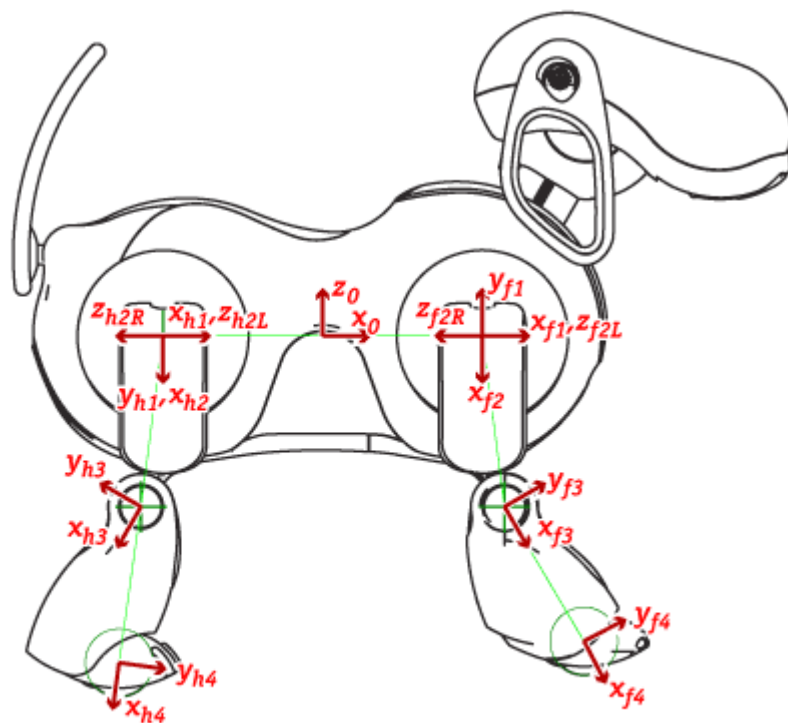


ERS-7 Legs

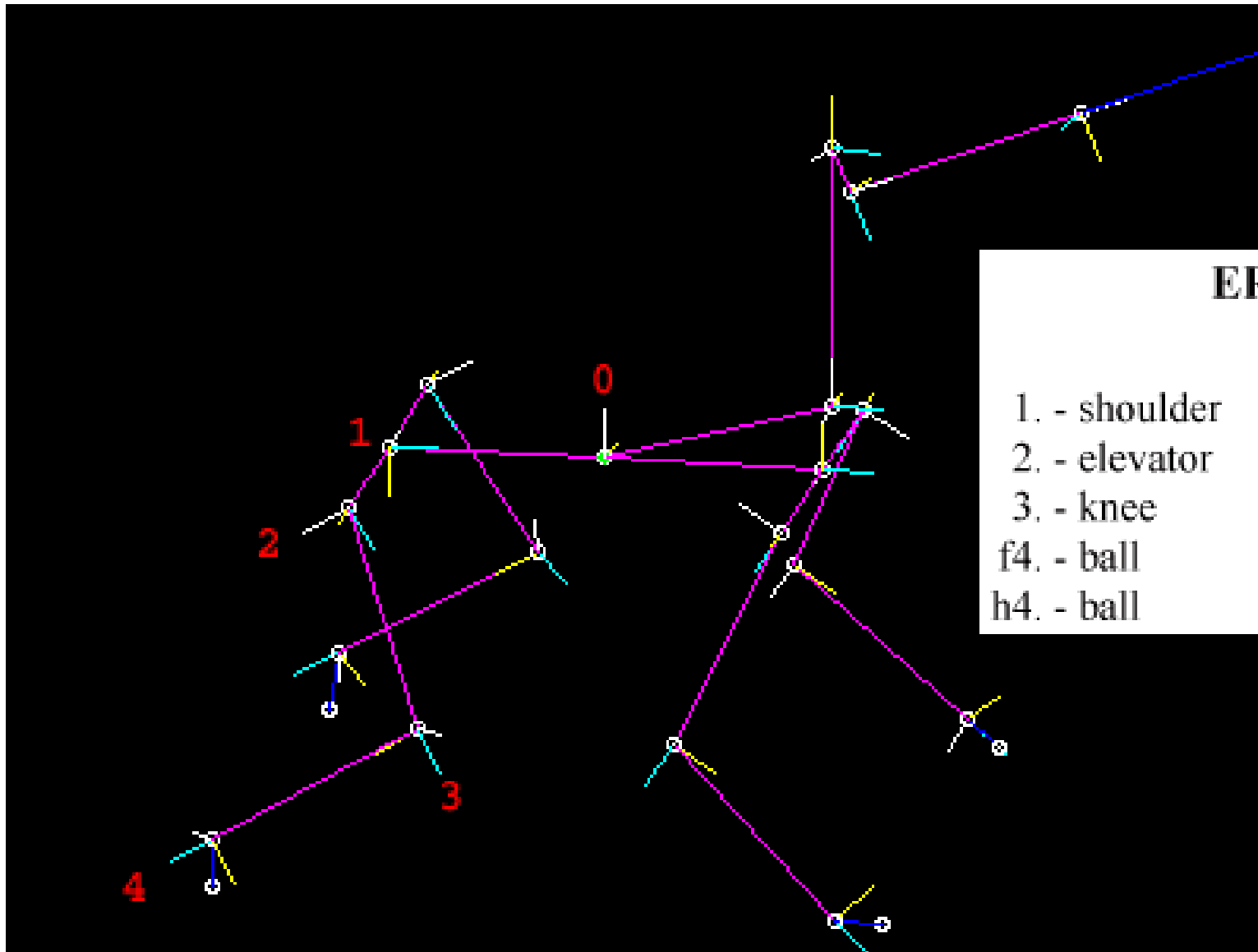
	Δx	Δy	Δz
1. - shoulder	65	0	0
2. - elevator	0	0	62.5
3. - knee	69.5	0	9
f4. - ball	69.987	-4.993	4.7
h4. - ball	67.681	-18.503	4.7

Diameter of ball of foot is 23.433mm
Each link offset is relative to previous link

The shins shown in this diagram appear to be slightly distorted compared to a real robot. Corresponding measurements have been taken from actual models.



Leg Reference Frames



ERS-7 Legs

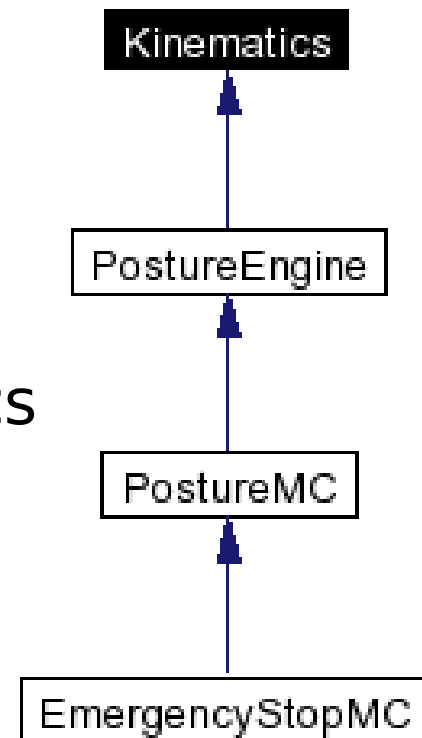
	Δx	Δy	Δz
1. - shoulder	65	0	0
2. - elevator	0	0	62.5
3. - knee	69.5	0	9
f4. - ball	69.987	-4.993	4.7
h4. - ball	67.681	-18.503	4.7

Reference Frame Naming Conventions

- Use a similar offset-based indexing scheme as for joint names in motion commands and world state vectors:
 - BaseFrameOffset
 - HeadOffset + TiltOffset
 - CameraFrameOffset
 - LFrLegOffset + ElevatorOffset
- Note: the distinction between joint and link reference frames is made in the function name, not the reference frame name:
 - jointToBase(HeadOffset+TiltOffset)
 - linkToBase(HeadOffset+TiltOffset)

Kinematics Class

- Tekkotsu contains its own kinematics engine for kinematics calculations, modeled after ROBOOP.
- The Kinematics class provides access to basic functionality for forward kinematics.
- Global variable **kine** holds a special Kinematics instance:
 - Joint values reference WorldState.
- PostureEngine is a child of Kinematics so it can do kinematics calculations too. It adds inverse kinematics.
 - Joint angle results are stored in the PostureEngine instance.



fmat

- Tekkotsu uses the fmat package to represent coordinates and transformation matrices.
- fmat is optimized for efficient representation of small, fixed-size matrices and vectors.

```
fmat::Column<4> v, w;  
v = fmat::pack(5.75, 30.0, 115, 1);  
w = fmat::pack(17, -4.2f, 100, 1);  
  
fmat::Matrix<4,4> T;  
T = v * w.transpose();
```

fmat::Transform

- Transformation matrices using homogenous coordinates are 4×4 .
- But the last row is always $[0 \ 0 \ 0 \ 1]$.
- So fmat eliminates the last row and overloads the arithmetic operators to make the math work correctly.
- fmat::Transform is really a `Matrix<3,4>`

Converting Between Reference Frames

- Most common conversion is between the base frame (body coordinates) and a limb frame, or vice versa.
- Conversion requires computing a transformation matrix:

`baseToJoint()`, `baseToLink()`, `jointToBase()`, `linkToBase()`

`fmat::Transform jointToBase(unsigned int joint) {...}`

- General conversion functions:

`jointToJoint()`, `jointToLink()`, `linkToJoint()`, `linkToLink()`

`fmat::Transform jointToJoint(unsigned int ijoint,
unsigned int ojoint) {}`

Reference Frame Conversion 1

- Transform Base to Base:

```
fmat::Transform T = kine->jointToBase(BaseFrameOffset);  
cout << T.fmt("%8.3f") << endl;
```

- Result:

1.000	0.000	0.000	0.000
0.000	1.000	0.000	0.000
0.000	0.000	1.000	0.000
0.000	0.000	0.000	1.000

Reference Frame Conversion 2

Translate base frame to AIBO head tilt frame:

```
const float headtilt = state->outputs[HeadOffset+TiltOffset];
cout << "Head tilt is " << headtilt * 180/M_PI
      << " degrees." << endl;

fmat::Transform TtiltJ(kine->jointToBase(HeadOffset+TiltOffset));
fmat::Transform TtiltL(kine->linkToBase (HeadOffset+TiltOffset));

cout << "tilt jointToBase=\n" TtiltJ.fmt("%8.3f") << endl;
cout << "tilt linkToBase=\n" TtiltL.fmt("%8.3g") << endl;
```

At ~Zero Degree Tilt Angle

Head tilt is 1.25 degrees.

tilt jointToBase=

1.000	0.000	0.000	67.500
0.000	0.000	-1.000	0.000
0.000	1.000	0.000	19.500

tilt linkToBase=

1.000	-0.022	0.000	67.500
0.000	0.000	-1.000	0.000
0.022	1.000	0.000	19.500

ERS-7 Head

	Δx	Δy	Δz
1. - tilt ₀	67.5	0	19.5
2. - pan ₁	0	0	0
3. - nod ₂	0	0	80
4. - jaw ₃	40	-17.5	0
cam. - camera ₃	81.06	-14.6	0
IRn. - NearIR ₃	76.9	1.917	2.795
IRf. - FarIR ₃	76.9	1.052	-8.047
IRc. - ChestIR ₀	109.136	-3.384	0

$$x_3 \angle x_4 = -23.6294^\circ$$

At ~ -30 Degree Tilt Angle

Head tilt is -29.5 degrees.

tilt jointToBase=

1.000	0.000	0.000	67.500
0.000	0.000	-1.000	0.000
0.000	1.000	0.000	19.500

tilt linkToBase=

0.871	0.492	0.000	67.500
0.000	0.000	-1.000	0.000
-0.492	0.871	0.000	19.500

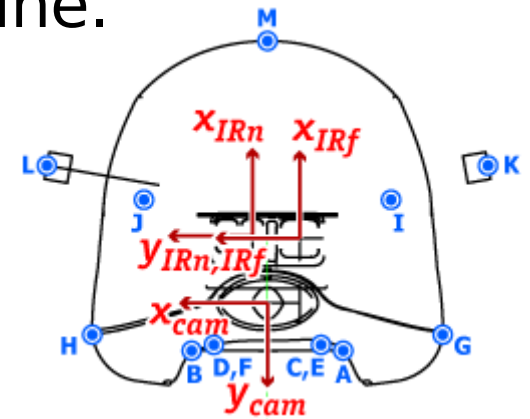
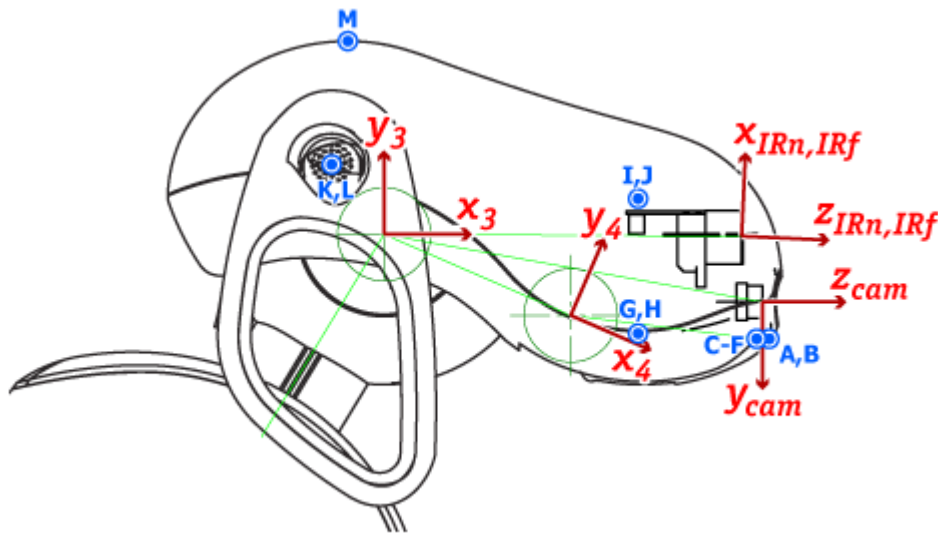
$\cos(-30^\circ) = 0.866$

$\sin(-30^\circ) = 0.500$

- The tilt joint reference frame doesn't rotate with tilt.
- The tilt link reference frame does rotate.

Interest Points

- Interest points on the head, legs, and body can be predefined for use in kinematics calculations.
- Not yet supported in new kinematics engine.



Interest Points:

- A - LowerLeftLowerLip₄
- B - LowerRightLowerLip₄
- C - UpperLeftLowerLip₄
- D - UpperRightLowerLip₄
- E - LowerLeftUpperLip₃
- F - LowerRightUpperLip₃
- G - LowerLeftSnout₃
- H - LowerRightSnout₃
- I - UpperLeftSnout₃
- J - UpperRightSnout₃
- K - LeftMicrophone₃
- L - RightMicrophone₃
- M - HeadButton₃

Leg Interest Points

Interest Points:

- A - Toe{L,R}{Fr,Bk}Paw₄
- B - Lower{Inner,Outer}Front{L,R}{Fr,Bk}Shin₃
- C - Lower{Inner,Outer}Middle{L,R}{Fr,Bk}Shin₃
- D - Lower{Inner,Outer}Back{L,R}{Fr,Bk}Shin₃
- E - Middle{Inner,Outer}Middle{L,R}{Fr,Bk}Shin₃
- F - Upper{Inner,Outer}Front{L,R}{Fr,Bk}Shin₃
- G - Upper{Inner,Outer}Back{L,R}{Fr,Bk}Shin₃
- H - Lower{Inner,Outer}Front{L,R}{Fr,Bk}Thigh₂
- I - Lower{Inner,Outer}Back{L,R}{Fr,Bk}Thigh₂
- J - Upper{Inner,Outer}Front{L,R}{Fr,Bk}Thigh₂
- K - Upper{Inner,Outer}Back{L,R}{Fr,Bk}Thigh₂
- L - Upper{L,R}Chest₀
- M - Lower{L,R}Chest₀
- N - {L,R}{Fr,Bk}Belly₀
- O - Lower{L,R}Rump₀
- P - Upper{L,R}Rump₀

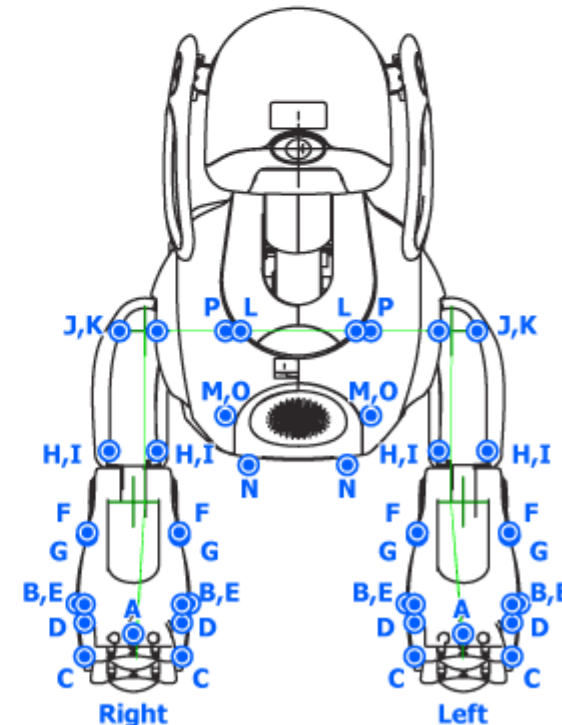
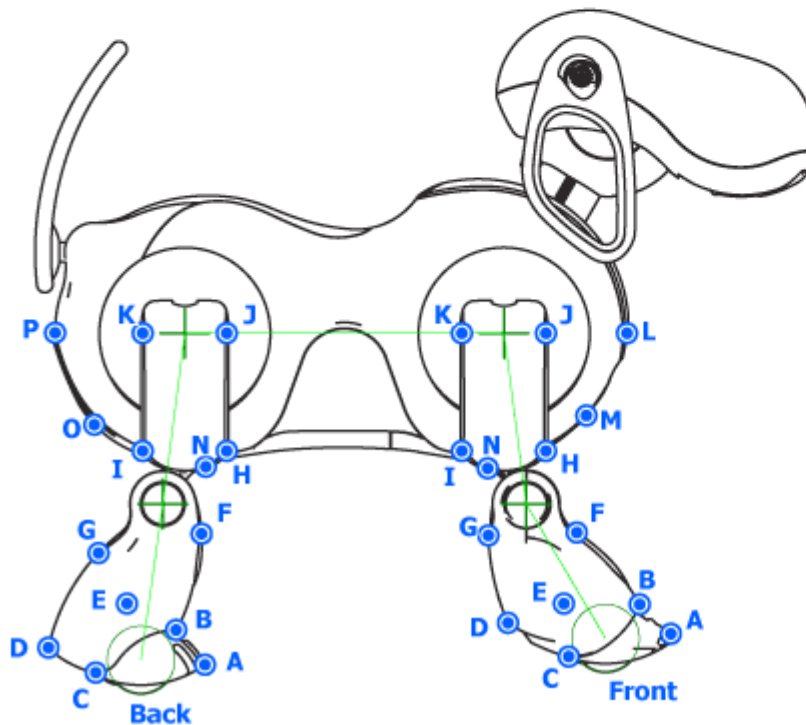
ERS-7 Legs

	Δx	Δy	Δz
1. - shoulder	65	0	0
2. - elevator	0	0	62.5
3. - knee	69.5	0	9
f4. - ball	69.987	-4.993	4.7
h4. - ball	67.681	-18.503	4.7

Diameter of ball of foot is 23.433mm

Each link offset is relative to previous link

The shins shown in this diagram appear to be slightly distorted compared to a real robot. Corresponding measurements have been taken from actual models.



Retrieving Interest Points

- Each interest point is attached to a link:

```
void getInterestPoint(const std::string &name,  
                    unsigned int &link,  
                    fmat::Column<4> &coords)
```

- Returns the link associated with the named interest point, and its coordinates in the link's reference frame.

- Interest points can be expressed in any reference frame:

```
fmat::Column<4>  
getJointInterestPoint(unsigned int joint,  
                    const std::string &name)
```


Forward Kinematics: Measure Distance From RFr Leg to Gripper

```
virtual void processEvent(const EventBase&) {  
  
    fmat::Transform rfrFoot =  
        kine->linkToBase(FootFrameOffset+RFrLegOrder);  
    fmat::Column<3> rfrFootPos = rfrFoot.translation();  
  
    fmat::Transform gripper =  
        kine->linkToBase(GripperFrameOffset);  
    fmat::Column<3> gripperPos = gripper.translation();  
  
    float dist = (rfrFootPos-gripperPos).norm();  
  
    cout << "Distance is " << setw(5) < dist << " mm." << endl;  
  
}
```

Inverse Kinematics: lookAtPoint

- Inverse kinematics finds the joint angles to put an effector at a particular point in space.
- Hard problem:
 - solution space can be discontinuous
 - can be highly nonlinear
 - multiple solutions may be possible
 - maybe no solution (so find closest approximation)
- Example: `lookAtPoint(x,y,z)`
 - point described in base frame coordinates
 - calculates head joint angles

TrackGripper Behavior

```
class TrackGripper : public BehaviorBase {  
  
private:  
    MotionPtr<PIDMC> armRelaxer;  
    MotionPtr<HeadPointerMC> headMover;  
  
public:  
    TrackGripper() : BehaviorBase("DstBehavior"),  
                   armRelaxer(), headMover() {}  
  
    virtual void DoStart() {  
        addMotion(armRelaxer);  
        addMotion(headMover);  
        erouter->addListener(this, EventBase::sensorEGID);  
    }  
}
```

TrackGripper Behavior 2

```
virtual void processEvent(const EventBase&) {  
  
    fmat::Transform Tgripper =  
        kine->jointToBase(GripperFrameOffset);  
  
    cout << "Transform:" << Tgripper.fmt("%8.3f") << endl;  
  
    headMover->lookAtPoint(Tgripper(0,3),  
                           Tgripper(1,3),  
                           Tgripper(2,3));  
  
}
```

General Inverse Kinematics

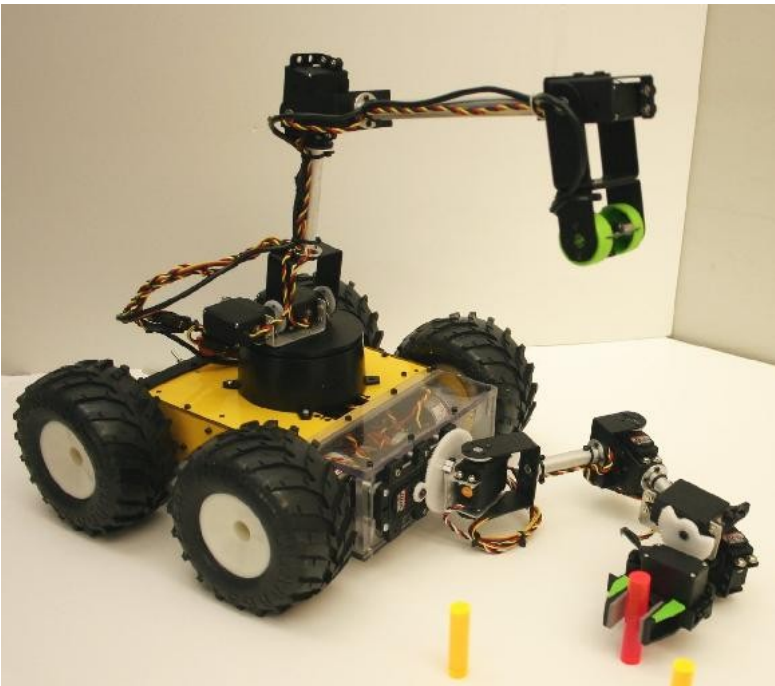
- Inverse kinematics solver included in PostureEngine:

```
solveLinkPosition(const fmat::Column<3> &Ptgt,  
                 unsigned int link,  
                 const fmat::Column<3> &Peff)
```

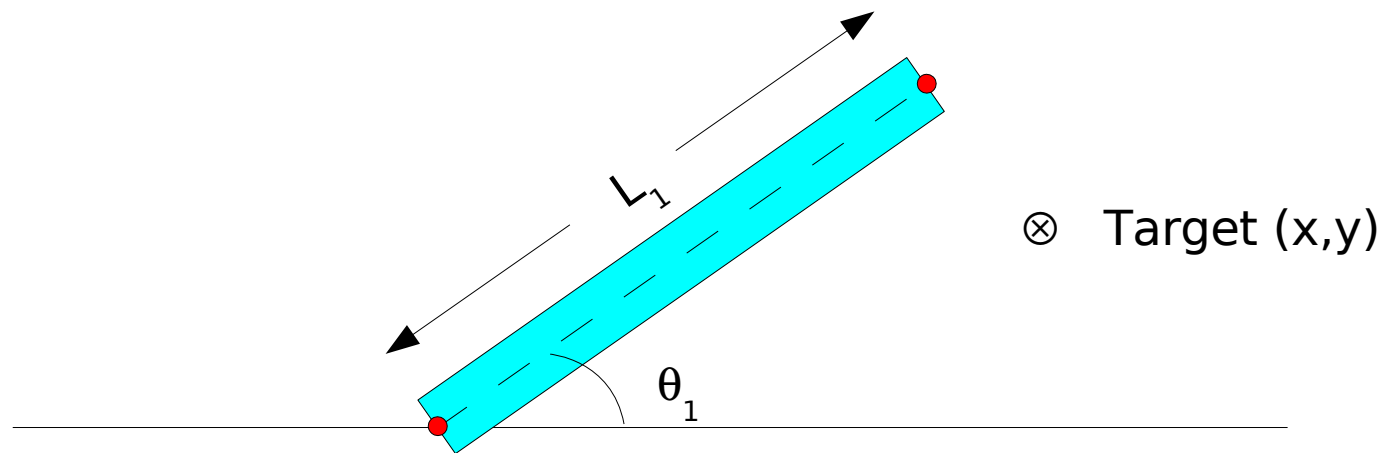
- Ptgt is the target point to move to (in base frame coordinates)
 - link is the index of some effector on the body, e.g.,
ArmOffset+GripperOffset
 - Peff is a point on the effector that is to be moved to Ptgt, in the reference fame of that effector.
- Returns true if a solution was found. False if no solution exists (e.g., joint limits exceeded, distance too far, etc.)
 - Solution is stored in the PostureEngine as joint values.

Customized Kinematics Solvers

- For some simple kinematic chains, such as a pan/tilt, we can write analytical solutions to the IK problem.
- For the general case, must use gradient descent search.



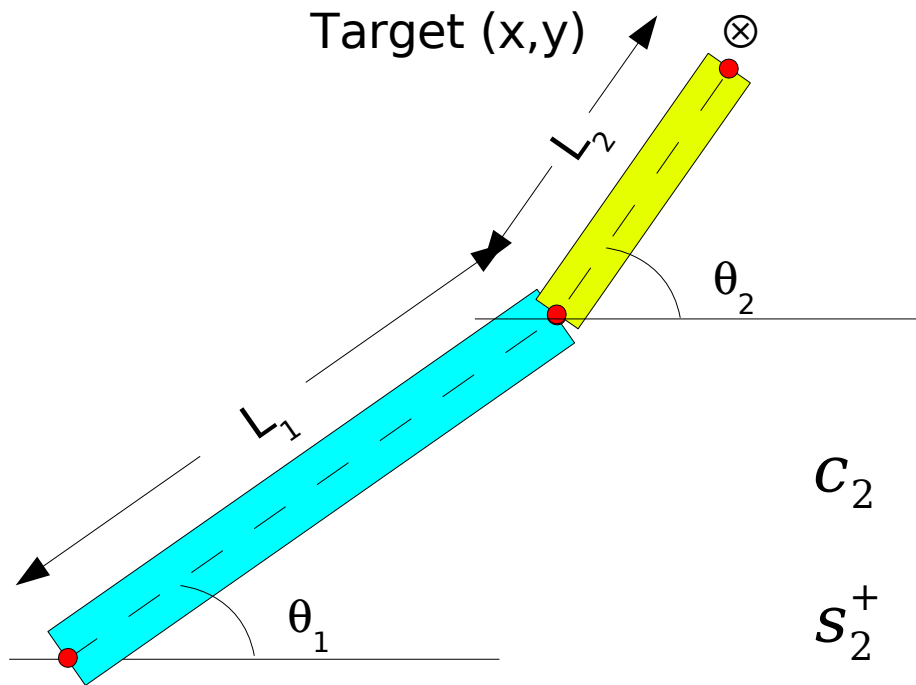
Solving the 1-Link Arm



Reachable if: $L_1 = \sqrt{x^2 + y^2}$

Solution: $\theta_1 = \text{atan2}(y, x)$

Solving the 2-Link Planar Arm



$$c_2 = \frac{x^2 + y^2 - L_1^2 - L_2^2}{2L_1L_2}$$

$$s_2^+ = \sqrt{1 - c_2^2}$$

$$\theta_2^+ = \text{atan2}(s_2^+, c_2)$$

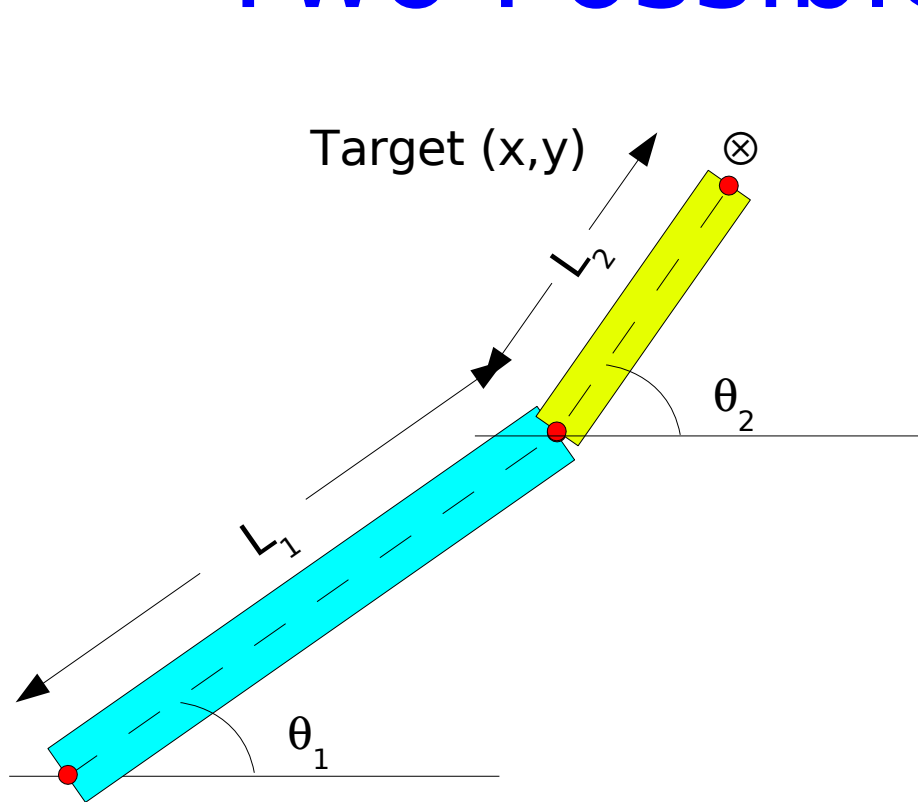
$$K_1 = L_1 + c_2 L_2$$

$$K_2 = s_2^+ L_2$$

$$\theta_1 = \text{atan2}(y, x) - \text{atan2}(K_2, K_1)$$

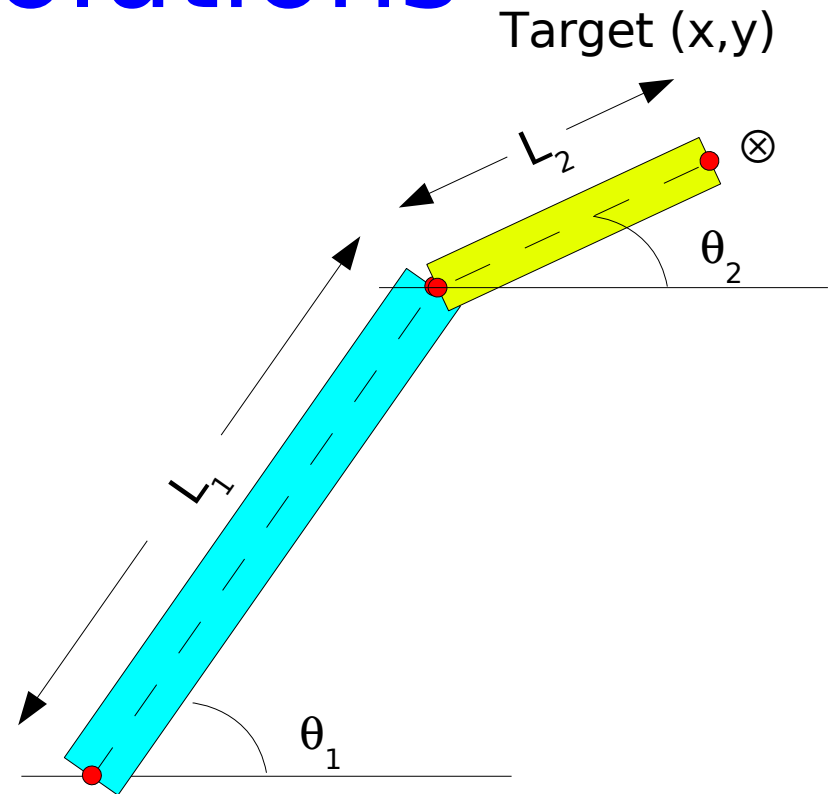
Reachable if: $c_2^2 \leq 1$

Two Possible Solutions



$$s_2^+ = \sqrt{1 - c_2^2}$$

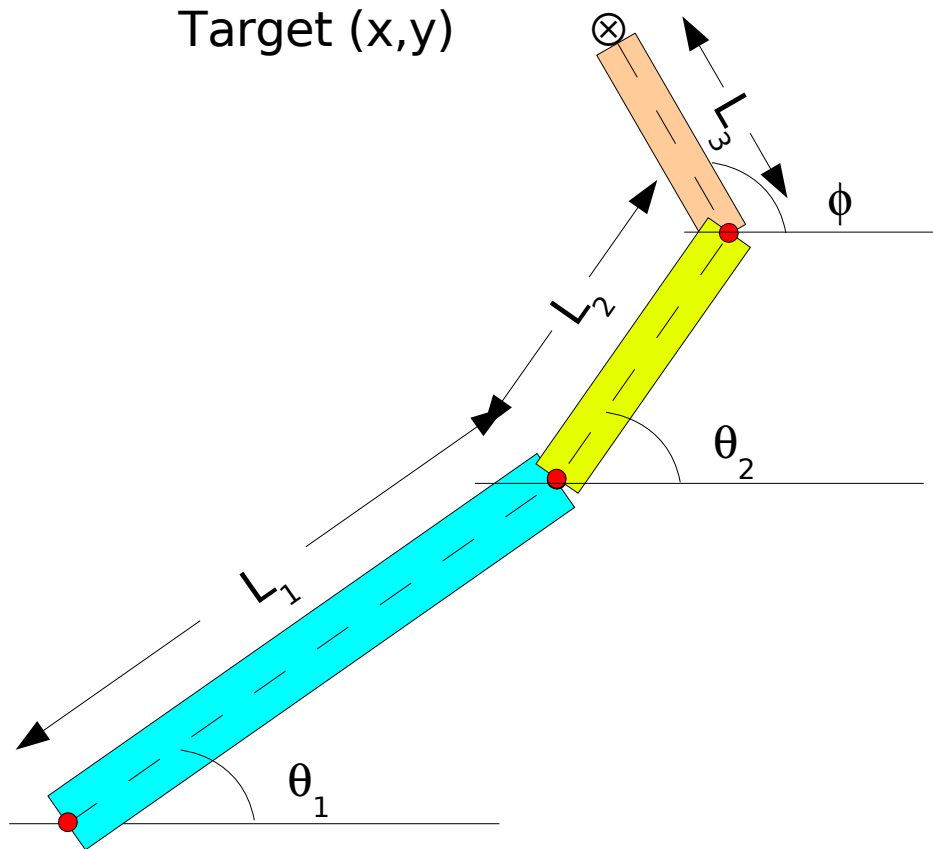
$$\theta_2^+ = \text{atan2}(s_2^+, c_2)$$



$$s_2^- = -\sqrt{1 - c_2^2}$$

$$\theta_2^- = \text{atan2}(s_2^-, c_2)$$

Solving the 3-Link Planar Arm



- Choose tool angle ϕ
- Given target position x_t, y_t , calculate wrist position: x_w and y_w
- Solve 2-link problem to put wrist at x_w, y_w .