

Quizlet 6 version A (5 minutes)

15-110 F24 10/30

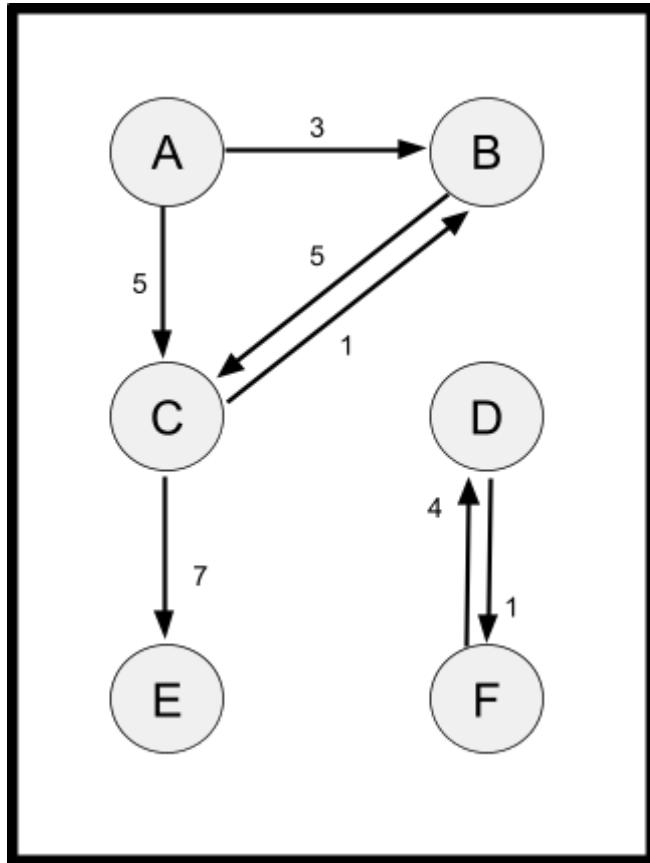
AndrewID: _____

Name: _____

These questions do not use concepts beyond week 7.

1. Graphs: In the box, clearly draw the edges labeled with their corresponding weights and directions so that they match the dictionary representation on the left. Do not include any unnecessary edges.

```
weightedGraph = {  
  "A" : [ ["B", 3], ["C", 5] ],  
  "B" : [ ["C", 5] ],  
  "C" : [ ["B", 1], ["E", 7] ],  
  "D" : [ ["F", 1] ],  
  "E" : [ ],  
  "F" : [ ["D", 4] ] }
```



2. True/False: Select True or False for each of the following statements about efficiency. Assume in all cases that n is very large.

True False The $O(2^n)$ function family is more efficient than $O(n^2)$

True False In the context of 15-110, big-O notation represents the worst-case efficiency for a given algorithm

True False Linear search on a sorted list has an efficiency of $O(\log n)$

Turn your quizlet face-down when you are done!