

18x13, Summer 2023

C Programming Lab: Assessing Your C Programming Skills

Assigned: Monday, May 15
Due: Monday, Jun 5, 11:59 pm ET
Last possible hand in: Monday, Jun 5, 11:59 pm ET

1 Logistics

There are no late days, grace days, or extensions for this assignment. Start early enough to get it done before the due date. Assume things will not go according to plan, and so you must allow extra time for heavily loaded systems, dropped Internet connections, corrupted files, traffic delays, minor health problems, etc.

A well-prepared student can complete the assignment in 1–2 hours, but it may require longer if you have not done much C programming. If you are not yet registered for the course, you can request an Autolab account and complete the assignment on schedule.

This is an individual project. All handins are electronic. You should work on this assignment on the Shark machines. Please see <https://www.cs.cmu.edu/~18213/labmachines.html> for more information on how to access these machines. The testing for your code will be done using Autolab, using OS and compiler configurations similar to those on the Shark machines. We advise you to test your code on the Shark machines before submitting it.

Before you begin, please take the time to review the course policy on academic integrity at <https://www.cs.cmu.edu/~18213/academicintegrity.html>.

2 Overview

This lab will give you practice in the style of programming you will need to be able to do proficiently, especially for the later assignments in the class. The material covered *should* all be review for you. Some of the skills tested are:

- Explicit memory management, as required in C.
- Creating and manipulating pointer-based data structures.
- Working with strings.
- Enhancing the performance of key operations by storing redundant information in data structures.
- Implementing robust code that operates correctly with invalid arguments, including NULL pointers.

The lab involves implementing a queue, supporting both last-in, first-out (LIFO) and first-in-first-out (FIFO) queueing disciplines. The underlying data structure is a singly-linked list, enhanced to make some of the operations more efficient.

3 Resources

Here are some sources of material you may find useful:

1. *C programming*. Our recommended text is Kernighan and Ritchie, *The C Programming Language, second edition*. Copies are on reserve in the Sorrells Engineering Library. For this assignment, Chapters 5 and 6 are especially important. There are good online resources as well, including: https://en.wikibooks.org/wiki/C_Programming
2. *Linked lists*. You can consult the lecture materials for 15-122: <https://www.cs.cmu.edu/~15122/handouts/10-linkedlist.pdf>
3. *Asymptotic (big-O) notation*. If you are unsure what “ $O(n)$ ” means, consult the lecture materials for 15-122: <https://www.cs.cmu.edu/~15122/handouts/05-bigo.pdf>
4. *Linux Man pages*. The authoritative documentation on a library function *FUN* can be retrieved via the command “man *FUN*.” Some useful functions for this lab include:

Memory management: Functions `malloc` and `free`.

String operations: Functions `strlen`, `strcpy`, and `strncpy`. (Beware of the behavior of `strncpy` when truncating strings!)

The Linux man pages can also be viewed online at <https://man7.org/linux/man-pages/>.

Be sure to follow posts on Piazza providing clarifications and updates on the assignment.

As the Academic Integrity Policy states, you should not search the web or ask others for solutions or advice on the lab. That means that search queries such as “linked-list implementation in C” are off limits.

4 Logging in to Autolab

All 213/613 labs are being offered this term through a Web service developed by CMU students and faculty called *Autolab*. Before you can download your lab materials, you will need to update your Autolab account. Point your browser at the Autolab front page: <https://autolab.andrew.cmu.edu>

You will be asked to authenticate via Shibboleth. After you authenticate the first time, Autolab will prompt you to update your account information with a *nickname*. Your nickname is the external name that identifies you on the public scoreboards that Autolab maintains for each assignment, so pick something interesting! You can change your nickname as often as you like. Once you have updated your account information, click on “Save Changes” button, and then select the “Home” link to proceed to the main Autolab page.

You must be enrolled to receive an Autolab account. If you added the class late, you might not be included in Autolab’s list of valid students. In this case, you won’t see the 213 course listed on your Autolab home page. If this happens, contact the staff and ask for an account.

If you are still on the waitlist for the course, then download a copy of the archive file (described below) from the course schedule web page. You can get working on the lab and then get an Autolab account once you are enrolled.

5 Downloading the assignment

For all assignments in this class, you should do all your programming and testing using one of the Shark machines, which you can access via an SSH connection. The starter code and testing scripts that we give you are not guaranteed to work anywhere but the Shark machines. You can find a list of all the Shark machines at <https://www.cs.cmu.edu/~18213/labmachines.html>. The Linux Bootcamp will cover using SSH and related topics in greater detail.

To begin working on this assignment, start by creating a directory for this course in a subdirectory of your AFS home directory that is accessible only by you. New Andrew accounts start out with a subdirectory with appropriate access control settings called `~/private`, so if you have that directory, these commands are sufficient:

```
shark$ mkdir ~/private/18213
shark$ cd ~/private/18213
```

If you don't have the `~/private` directory and don't know how to create a subdirectory that is accessible only by you, contact the Andrew helpdesk for instructions.

Once you are inside the 18213 directory, use the `autolab` command to download the starter code:

```
shark$ autolab download 18213-m23:cprogramminglab
```

You may be prompted to authenticate; follow the instructions. This will create a deeper subdirectory named `cprogramminglab` containing two files:

```
shark$ cd cprogramminglab
shark$ ls
cprogramminglab-handout.tar  cprogramminglab.pdf
```

`cprogramminglab.pdf` is another copy of this writeup; `cprogramminglab-handout.tar` contains the files you need. Extract them with these commands:

```
shark$ tar --strip=1 -xf cprogramminglab-handout.tar
shark$ rm cprogramminglab-handout.tar
shark$ ls
check-format  console.h          driver.py  harness.h  Makefile  queue.c  README  report.h
console.c     cprogramminglab.pdf  harness.c  helper.mk  qtest.c  queue.h  report.c  traces
```

For this lab, you will only *need* to modify `queue.h` and `queue.c`. If you like, you may modify the hidden file `.clang-format` so that “`make format`” applies your preferred style. Don't modify any other files! If you do, the autograder will ignore those modifications and your code probably won't compile.

6 Overview

The file `queue.h` contains declarations of the following structures:

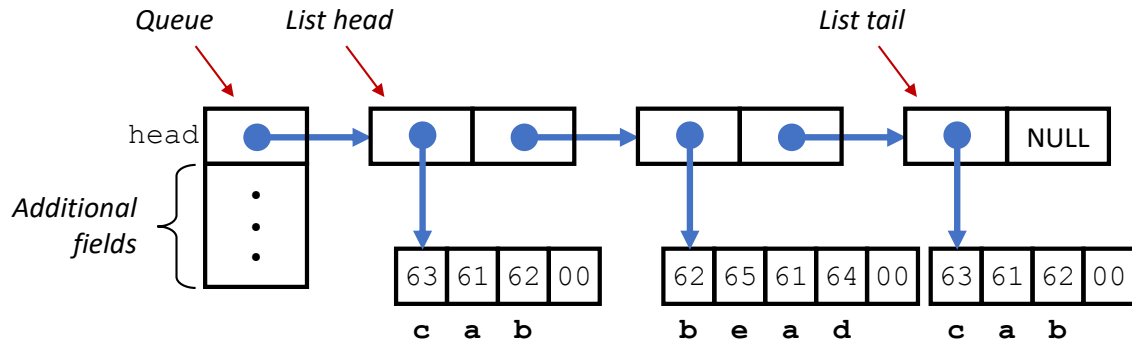


Figure 1: **Linked-list implementation of a queue.** Each list element has a value field, pointing to an array of characters (C’s representation of strings), and a next field pointing to the next list element. Characters are encoded according to the ASCII encoding (shown in hexadecimal.)

```

/* Linked list element */
typedef struct list_ele {
    char *value;
    struct list_ele *next;
} list_ele_t;

/* Queue structure */
typedef struct {
    list_ele_t *head; /* First element in the queue */
} queue_t;

```

These are combined to implement a queue of strings, as illustrated in Figure 1. The top-level representation of a queue is a structure of type `queue_t`. In the starter code, this structure contains only a single field `head`, but you will want to add other fields. The queue contents are represented as a singly-linked list, with each element represented by a structure of type `list_ele_t`, having fields `value` and `next`, storing a pointer to a string and a pointer to the next list element, respectively. The final list element has its next pointer set to `NULL`. You may add other fields to the structure `list_ele`, although you need not do so.

Recall that a string is represented in C as an array of values of type `char`. In most machines, data type `char` is represented as a single byte. To store a string of length l , the array has $l + 1$ elements, with the first l storing the codes (typically ASCII¹ format) for the characters and the final one being set to 0. The `value` field of the list element is a pointer to the array of characters. The figure indicates the representation of the list [“cab”, “bead”, “cab”], with characters a–e represented in hexadecimal as ASCII codes 61–65. Observe how the two instances of the string “cab” are represented by separate arrays—each list element should have a separate copy of its string.

In our C code, a queue is a pointer of type `queue_t *`. We distinguish two special cases: a *NULL* queue is one for which the pointer has value `NULL`. An *empty* queue is one pointing to a valid structure, but the `head` field has value `NULL`. Your code will need to deal properly with both of these cases, as well as queues containing one or more elements.

¹Short for “American Standard Code for Information Interchange,” developed for communicating via teletype machines.

7 Programming Task

Your task is to modify the code in `queue.h` and `queue.c` to fully implement the following functions.

queue_new: Create a new, empty queue.

queue_free: Free all storage used by a queue.

queue_insert_head: Attempt to insert a new element at the head of the queue (LIFO discipline).

queue_insert_tail: Attempt to insert a new element at the tail of the queue (FIFO discipline).

queue_remove_head: Attempt to remove the element at the head of the queue.

queue_size: Compute the number of elements in the queue.

queue_reverse: Reorder the list so that the queue elements are reversed in order. This function should not allocate or free any list elements (either directly or via calls to other functions that allocate or free list elements.) Instead, it should rearrange the existing elements.

More details can be found in the comments in these two files, including how to handle invalid operations (e.g., removing from an empty or NULL queue), and what side effects and return values the functions should have.

For functions that provide strings as arguments, you must create and store a copy of the string by calling `malloc` to allocate space (remember to include space for the terminating character) and then copying from the source to the newly allocated space. When it comes time to free a list element, you must also free the space used by the string. You cannot assume any fixed upper bound on the length of a string—you must allocate space for each string based on its length. **Note:** `malloc`, `calloc`, and `realloc` are the only supported functions in this lab for memory allocation, any other functions that allocate memory on the heap may cause you to lose points.

Two of the functions, `queue_insert_tail` and `queue_size`, will require some effort on your part to meet the required performance standards. Naive implementations would require $O(n)$ steps for a queue with n elements. We require that your implementations operate in time $O(1)$, i.e., that the operation will require only a fixed number of steps, regardless of the queue size. You can do this by including other fields in the `queue_t` data structure and managing these values properly as list elements are inserted, removed and reversed. Please work on finding a solution better than the $O(n^2)$ solution for all of the functions.

Your program will be tested on queues with over 1,000,000 elements. You will find that you cannot operate on such long lists using recursive functions, since that would require too much stack space. Instead, you need to use a loop to traverse the elements in a list.

8 Testing

You can compile your code using the command:

```
shark$ make
```

If there are no errors, the compiler will generate an executable program `qtest`, providing a command interface with which you can create, modify, and examine queues. Documentation on the available commands can be found by starting this program and running the `help` command:

```
shark$ ./qtest
cmd> help
```

The following file (`traces/trace-eg.cmd`) illustrates an example command sequence, which you can type into the `qtest` program:

```
# Demonstration of queue testing framework
# Initial queue is NULL.
show
# Create empty queue
new
# Fill it with some values.  First at the head
ih dolphin
ih bear
ih gerbil
# Now at the tail
it meerkat
it bear
# Reverse it
reverse
# See how long it is
size
# Delete queue.  Goes back to a NULL queue.
free
# Exit program
quit
```

You can also run `qtest` on an entire trace file all at once, as follows:

```
shark$ ./qtest -f traces/trace-eg.cmd      # This is the example trace.
shark$ ./qtest -f traces/trace-01-ops.cmd # This is the first real trace.
```

If you try to test the starter code, you will see that it does not implement many of the operations properly.

The `traces` directory contains 15 trace files, with names of the form `trace-k-cat.txt`, where *k* is the trace number, and *cat* specifies the category of properties being tested. Each trace consists of a sequence of commands, similar to those shown above. They test different aspects of the correctness, robustness, and performance of your program. You can use these, your own trace files, and direct interactions with `qtest` to test and debug your program.

9 Evaluation

9.1 Autograder

Your program will be evaluated using the fifteen traces described above. You will be given credit (either 6 or 7 points, depending on the trace) for each one that executes correctly, summing to a maximum score of 100. This will be your score for the assignment—the grading is completely automated.

The driver program `driver.py` runs `qtest` on the traces and computes the score. This is the same program that will be used to compute your score with Autolab. You can invoke the driver directly with the command:

```
shark$ ./driver.py
```

or with the command:

```
shark$ make test
```

9.2 Style

This lab will not be style graded. The score you receive on Autolab will be your final score. However, your code for all labs **must be formatted correctly to receive points on Autolab**. For formatting your code, we require that you use the `clang-format` tool. To invoke it, run `make format`.

You can modify the `.clang-format` file to reflect your preferred code style. More information is available in the style guideline at <https://www.cs.cmu.edu/~213/codeStyle.html>.

9.3 Memory safety

The `qtest` program will be compiled with AddressSanitizer. This is an instrumentation tool similar to Valgrind that detects common memory issues such as accessing invalid memory, calling `free()` multiple times on the same address, or leaking memory. Programs are instrumented with AddressSanitizer at compile time, so you do not need to do anything extra to take advantage of it. However, be aware that Valgrind and AddressSanitizer cannot be used at the same time.

When AddressSanitizer detects an error, it will print an error similar to the following, then exit the program:

```
==4662==ERROR: AddressSanitizer: heap-buffer-overflow on address 0x6020
000000318 at pc 0x0000004e37e2 bp 0x7ffdbf037f30 sp 0x7ffdbf0376e0
READ of size 1025 at 0x602000000318 thread T0
#0 0x4e37e1 in __asan_memcpy (<...>/qtest+0x4e37e1)
#1 0x52e251 in queue_remove_head <...>/queue.c:160:9
#2 0x5276f9 in do_remove_head <...>/qtest.c:273:16
#3 0x52c0ae in interpret_cmda <...>/console.c:224:14
#4 0x52be0a in interpret_cmd <...>/console.c:251:15
#5 0x52ca4a in cmd_select <...>/console.c:635:9
#6 0x52da21 in run_console <...>/console.c:722:9
#7 0x52876a in main <...>/qtest.c:527:16
#8 0x7fc4eb07eb96 in __libc_start_main /build/glibc-0TsEL5/glibc-2.
27/csu/./csu/libc-start.c:310
#9 0x41a829 in _start (<...>/qtest+0x41a829)
```

This list of function names is called a **stack trace**, representing the execution state when the error occurred. The lowest numbered frame `#0` indicates the innermost function call: for instance, we can see that the error was caused by `__asan_memcpy`. However, the first function that is actually in our code is the frame `#1`. Therefore, we should look at the referenced location `queue.c:160:9` to find the error, which is referring to line 160 of `queue.c`.

Memory safety issues are a serious correctness issue, so you should make sure to fix any errors that are detected by AddressSanitizer. If you need help interpreting the output, feel free to ask for help on Piazza.

10 Handin

To receive a score, you should upload your submission to Autolab. The Autolab servers will run the same driver program that is provided to you, and record the score that you receive. You may handin as often as you like until the due date.

There are two ways you can submit your code to Autolab.

1. Running the make command will generate a tar file, `cprogramminglab-handin.tar`. You can upload this file to the Autolab website.
2. If you are running on the Andrew Unix or Shark machines, you can submit the tar file directly from the command line as follows:

```
shark$ make submit
```

IMPORTANT: Do not assume your submission will succeed! You should ALWAYS check that you received the expected score on Autolab. You can also check if there were any problems in the autograder output, which you can see by clicking on your autograded score in blue.

IMPORTANT: Do not upload files in other archive formats, such as those with extensions `.zip`, `.gzip`, or `.tgz`.

11 Reflection

This should be a straightforward assignment for students who are fully prepared to take this course. If you found you had trouble writing this code or getting it to work properly, this may be an indication that you need to upgrade your C programming skills over the next month. Starting with Lab 4, you will need to write programs that require a mastery of the skills tested in this assignment.

A good place to start is to carefully study Kernighan and Ritchie. This book documents the features of the language and also includes a number of examples illustrating good programming style. The book is a bit dated, and so it doesn't contain some more modern features of the language, such as the `bool` data type, but it is still considered one of the best books on how to program in C.